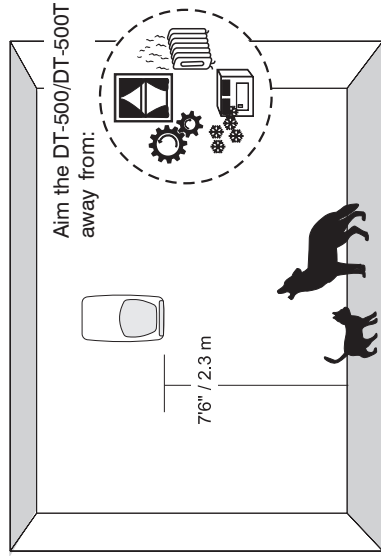


Step 1

Select the mounting location.

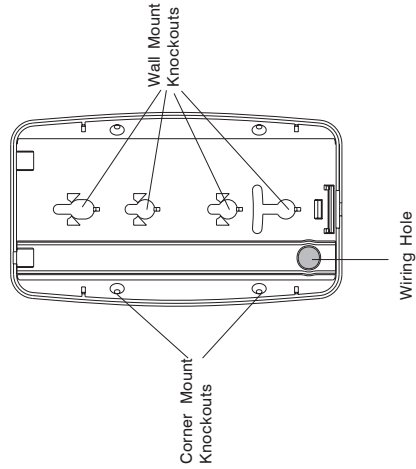
Mount at 7'6" / 2.3 m for optimal animal immunity.



Step 4

Mount the sensor.

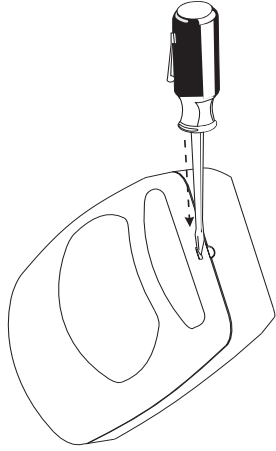
Carefully break out appropriate mounting knockouts on the rear housing, and mount it in the desired location.



Step 2

Separate sensor housings.

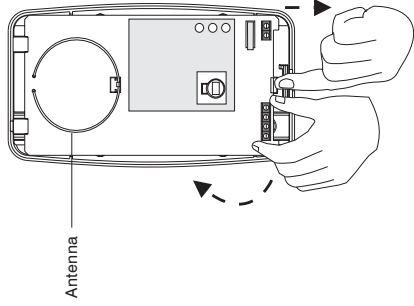
Insert small screwdriver into slot in bottom and push up on latch. Then gently pull the housings apart at the base.



Step 3

Remove the PCB.

Push down on the latch at the bottom of the housing. Then gently pull the printed circuit board (PCB) forward and up by the terminal strip.

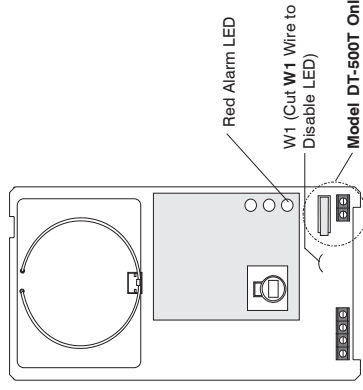


WARNING: DO NOT touch the antenna when removing the PCB from the rear housing.

Step 6

Walk-test the sensor.

Apply power to the sensor and let it warm up for three minutes. Begin walk-test after the red LED has stopped flashing.

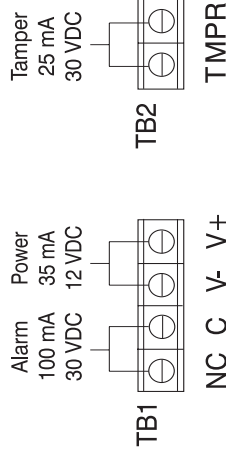


Walk across the protected area at the ranges to be covered. The red LED will indicate an alarm condition after two to four normal steps. When there is no motion in the protected area, the LED will be off.

Step 5

Wire the sensor.

Observing the proper polarity, wire the unit as shown (use 14-22 AWG). Push as much wire as possible back into the wall when returning the PCB to its housing.



Model DT-500T Only

NOTE: For proper wiring methods, refer to the National Electrical Code NFPA 70.

IMPORTANT: This sensor does not respond to walk-tests in a conventional manner. Rather, it tracks motion and analyzes the signals to confirm a valid alarm condition. Internally the sensor registers, then confirms an alarm condition. To observe this, take 2 to 4 steps into the pattern then stop and watch the LED.

SUPERVISION

If the microwave technology stops sending or receiving signals, or the system electronics are not in normal working order, the sensor's red LED will latch ON and alarm relay will open.

The sensor can only recover from this state by cycling power. If the problem still exists after cycling power, the sensor will fail the power-up self-test, the red LED will latch ON, and alarm relay will open. Self-test is performed at power-up and every two hours after that.

NOTE: The sensor should be tested at least once each year to ensure proper operation.

ANIMAL IMMUNITY

To achieve the highest level of attainable animal immunity, please use the following recommended mounting guidelines:

- Mount the sensor at the standard height of 2.3 m (7' 6").
- Make sure an animal cannot get within 1.9 m (6') of the sensor, such as by jumping on furniture or shelving.
- Make sure the sensor is level with the wall. Use a leveling tool and position it vertically across the face of the sensor. Improper installation can reduce animal immunity levels.
- Make sure the sensor has a clear line-of-sight to all areas you wish to protect. If the PIR sensor is blocked, the unit will not alarm.
- Aim the sensor toward the interior of the room, pointing away from windows, moving machinery, and heating/cooling sources.

Each installation should be tested to determine the level of attainable animal immunity, and tested again whenever the animal configuration changes. The following worksheet provides additional guidelines for determining the level of expected immunity:

IntelliSense and DUAL TEC are registered trademarks of Honeywell International, Inc. All other trademarks are the properties of their respective owner.
All Rights Reserved Copyright 2001 Honeywell International, Inc.
5-051-502-00 Rev J
Made in China



ANIMAL IMMUNITY WORKSHEET

Total combined animal weight(s) 45 kg (100 lb.)

Flooring Material: Flooring materials within the sensors field-of-view will effect the levels of animal immunity. Generally, a carpeted floor will achieve a higher level of immunity than a cement floor.

- Carpet: deduct 0
- Wood: deduct 2.25 kg (5 lb.)
- Tile/Cement: deduct 4.5 kg (10 lb.)

Animal Heat Radiation*: Generally, the longer the hair on an animal, the less heat or infrared energy they radiate. A long hair animal tends to achieve a higher level of animal immunity than a short hair animal.

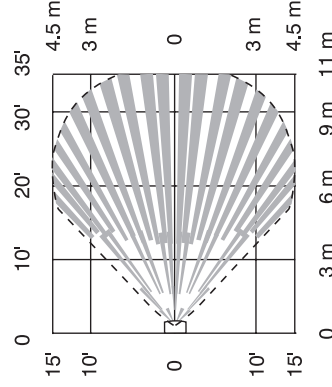
- Long Hair: deduct 0
- Medium Hair: deduct 2.25 kg (5 lb.)
- Short Hair: deduct 4.5 kg (10 lb.)

Estimated animal immunity level _____ = _____

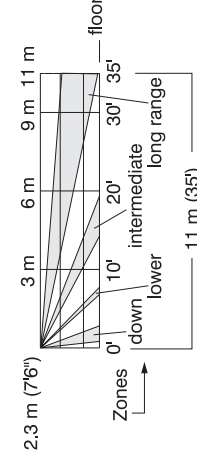
*Use in installations with dogs and cats.

DETECTION PATTERNS

TOP VIEW
Wall Mounted
Wide Angle Lens with Microwave Pattern



SIDE VIEW
Wide Angle Lens



IMPORTANT: For UL certified installations, the DT-500 must be connected to a UL listed power supply or UL listed control unit capable of providing a minimum of four hours of standby power.

PRODUCT SPECIFICATIONS

- Range:** DT-500, DT-500T
11 m x 9 m (35' x 30')
- Alarm relay:** Energized Form A (NC)
100 mA, 30 VDC
- Tamper:** 22 long range
12 intermediate
6 lower
4 down
- Power requirements:** 35 mA, 12 VDC
25 mA, 30 VDC
10 - 14.5 VDC
- RFI immunity:** 13 cm x 7 cm x 4 cm
30 V/m
10 MHz - 1000 MHz
- PIR white light immunity:** 200 g (7 oz)
6,500 Lux
Packaged product: 260 g (9 oz)
- Frequencies:** Center band 2.45 GHz
- Sensitivity:** 2 - 4 steps within field of view
- Approvals/listings:** FCC certified
IC certified
UL listed
ULC Listed*
C-Tick

*NOTE: The ULC label or listed marking on a product is the only evidence provided by Underwriters Laboratories of Canada to identify products that have been produced under the Listing and Follow-up Service.

NOTE: Animal immunity characteristics have not been verified by Underwriter's Laboratories, Inc.

NOTICE: Operation is subject to the following two conditions: (1) this device may not cause interference, and (2) this device must accept any interference, including interference that may cause undesired operation of the device.

FCC Notice: This equipment has been tested and found to comply with the limits for a Class B digital device, pursuant to part 15 of the FCC Rules. These limits are designed to provide reasonable protection against harmful interference in a residential installation. This equipment generates, uses and can radiate radio frequency energy, and if not installed and used in accordance with the instructions may cause harmful interference to radio communications. However, there is no guarantee that interference will not occur in a particular installation.

If this equipment does cause harmful interference to radio or television reception, which can be determined by turning the equipment off and on, the user is encouraged to try to correct the interference by one or more of the following measures:

- 1) Reorient or relocate the receiving antenna.
- 2) Increase the separation between the equipment and receiver.
- 3) Connect the equipment into an outlet on a circuit different from that to which the receiver is connected.
- 4) Consult the dealer or an experienced radio/television technician for help.

Changes or modifications to this equipment not expressly approved by Honeywell may void the user's authority to operate this equipment.

This apparatus complies with the Canadian Standards ICES-003 B and RSS-210.

This device requires a radio licence, unless it is installed totally inside a building. (User must obtain licence.)

Une licence est requise pour ces dispositifs, sauf pour ceux installés tout à fait à l'intérieur d'un bâtiment. (Il faut que l'utilisateur obtienne cette licence.)